

# Access Controller & Security System

## User Manual

**Note:**

This equipment is used to control the electric strike lock or electric magnetic lock, if other control equipment, please contact with our engineers.

# Content

## **Chapter One Access Controller Wiring Diagram**

|   |           |
|---|-----------|
| 1.1 Single Door Access Controller Wiring Diagram(TCP/IP Communication)..... | Page of 1 |
| 1.2 Double Door Access Controller Wiring Diagram(TCP/IP Communication)..... | Page of 2 |
| 1.3 Four Door Access Controller Wiring Diagram(TCP/IP Communication).....   | Page of 3 |

## **Chapter Two Access Controller Diagrammatic Connection**

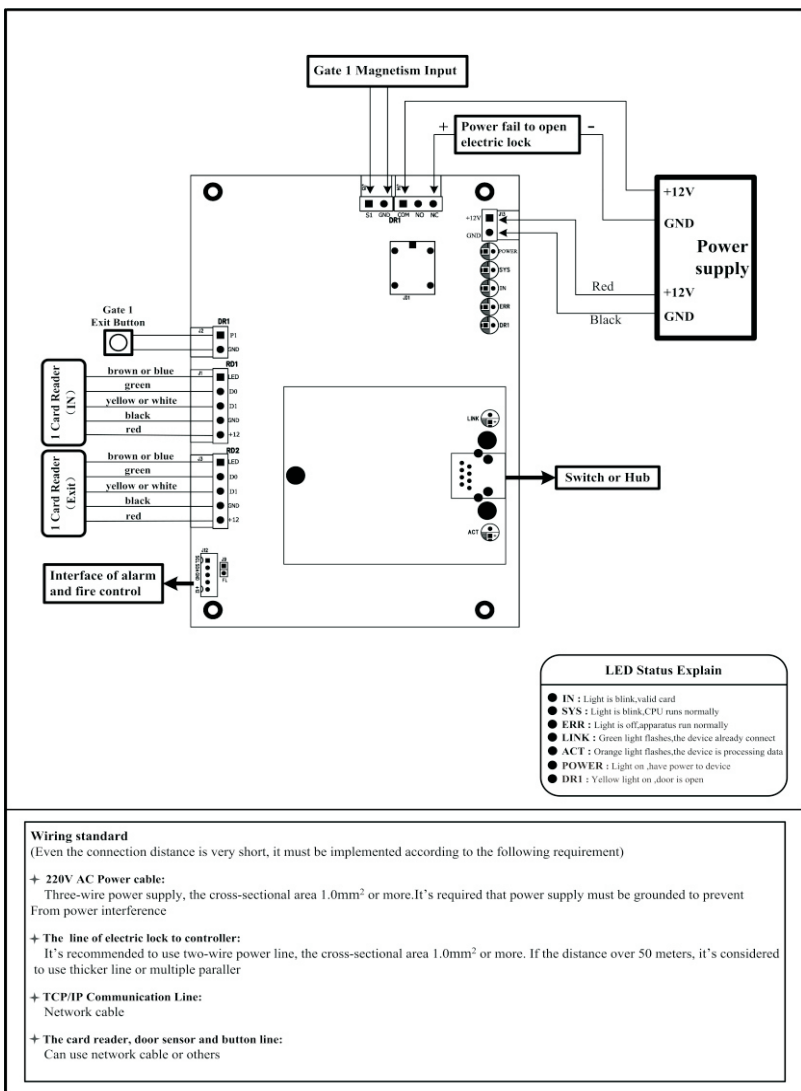
|   |           |
|---|-----------|
| Access Controller Wiring Diagram For TCP/IP Communication)..... | Page of 4 |
|---|-----------|

## **Appendix**

|  |           |
|--|-----------|
| Alarm Output and Fire Linkage Extend Board(Optional part)..... | Page of 5 |
|--|-----------|

# Chapter One Access Controller Wiring Diagram

## 1.1 Single Door Access Controller Wiring Diagram(TCP/IP Communication)



| LED Status Explain |   |
|--------------------|---|
| ● IN               | : Light is blink, valid card                          |
| ● SYS              | : Light is blink, CPU runs normally                   |
| ● ERR              | : Light is off, apparatus run normally                |
| ● LINK             | : Green light flashes, the device already connect     |
| ● ACT              | : Orange light flashes, the device is processing data |
| ● POWER            | : Light on ,have power to device                      |
| ● DRI              | : Yellow light on ,door is open                       |

### Wiring standard

(Even the connection distance is very short, it must be implemented according to the following requirement)

#### + 220V AC Power cable:

Three-wire power supply, the cross-sectional area 1.0mm<sup>2</sup> or more. It's required that power supply must be grounded to prevent From power interference

#### + The line of electric lock to controller:

It's recommended to use two-wire power line, the cross-sectional area 1.0mm<sup>2</sup> or more. If the distance over 50 meters, it's considered to use thicker line or multiple parallel

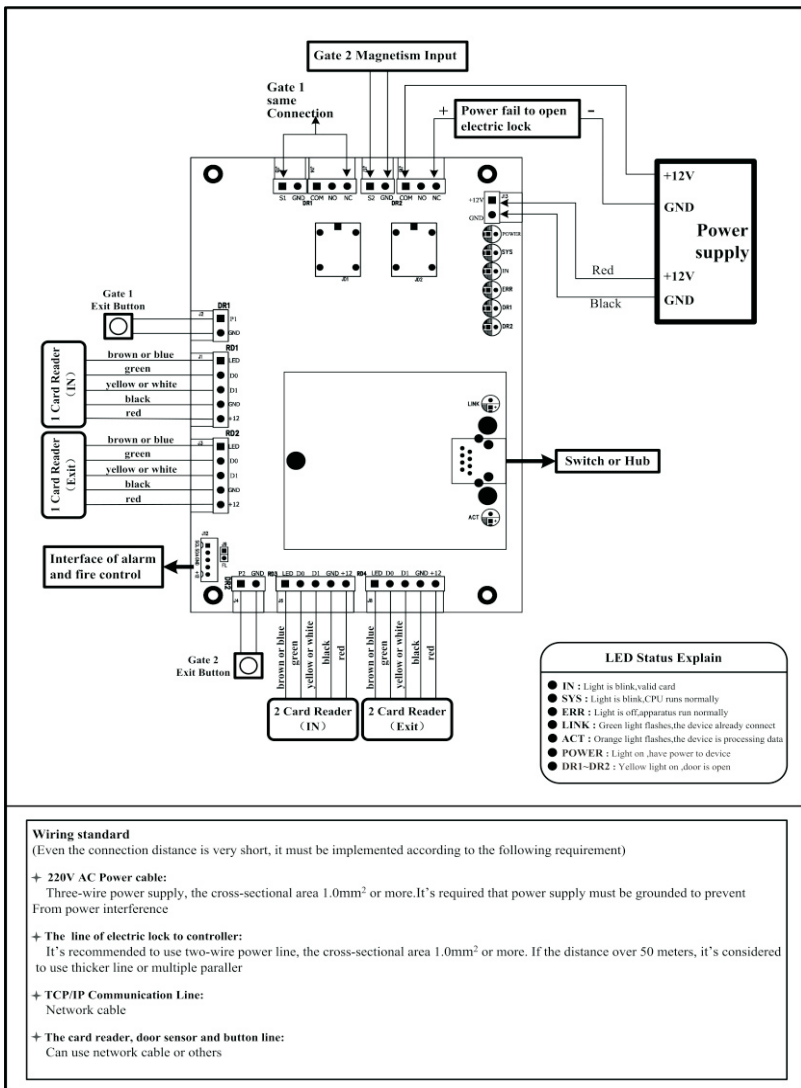
#### + TCP/IP Communication Line:

Network cable

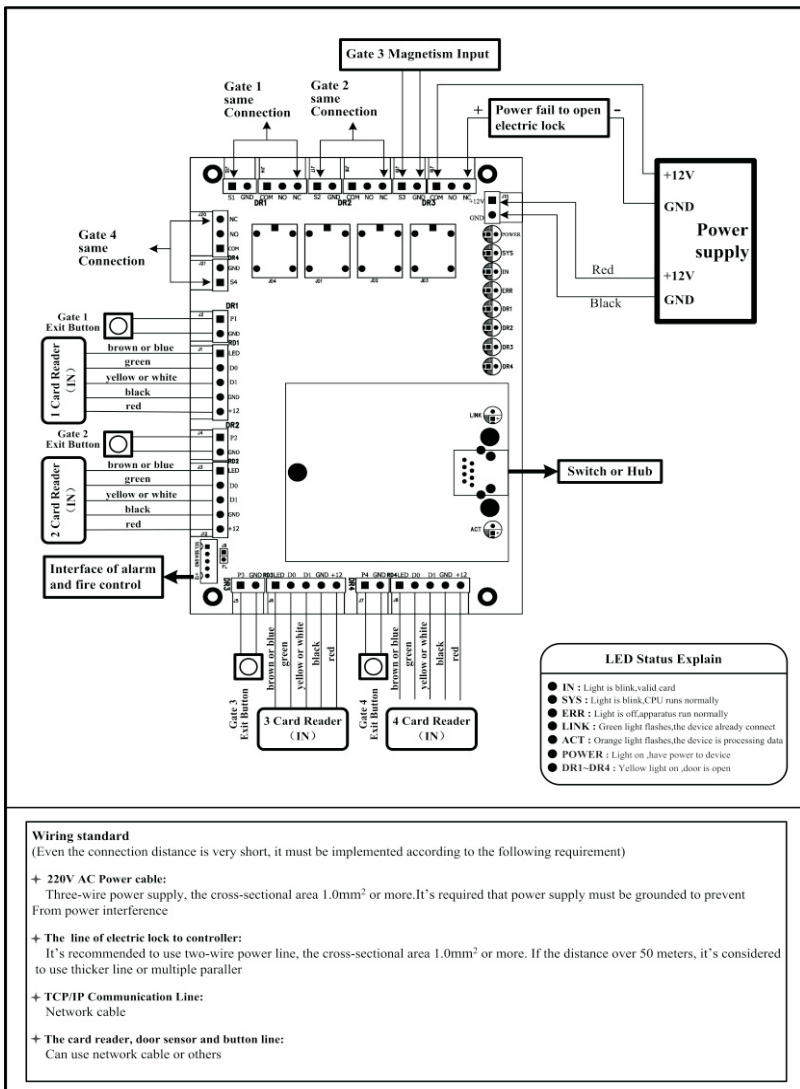
#### + The card reader, door sensor and button line:

Can use network cable or others

## 1.2 Double Door Access Controller Wiring Diagram(TCP/IP Communication)

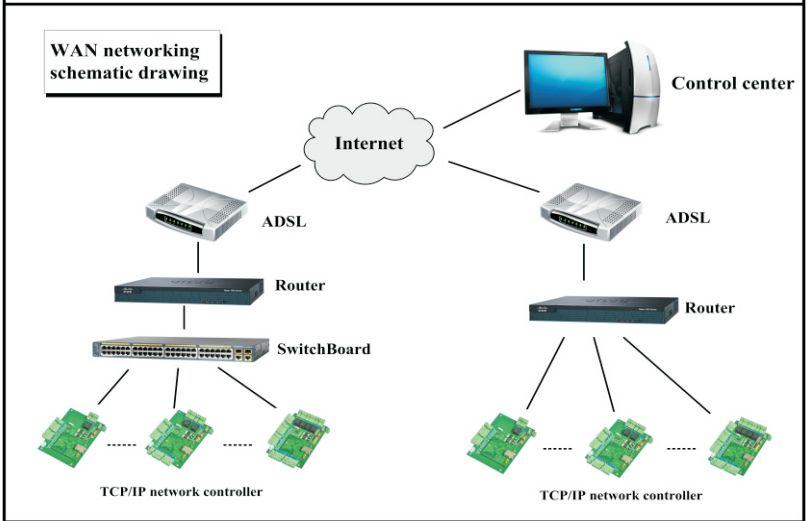
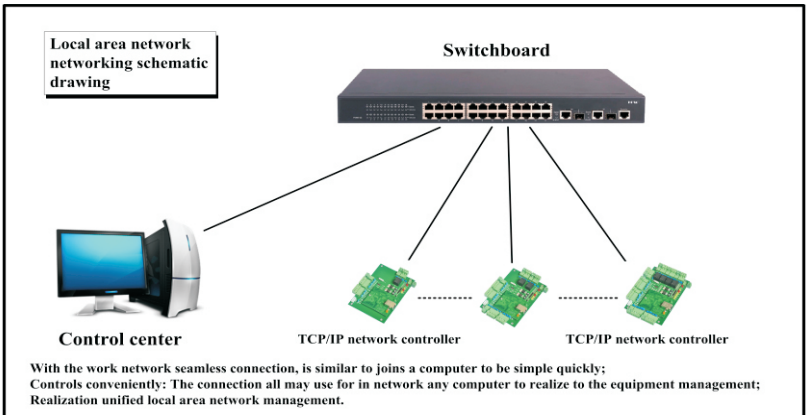


### 1.3 Four Door Access Controller Wiring Diagram(TCP/IP Communication)



# Chapter Two Access Controller Diagrammatic Connection

## Access Controller Wiring Diagram For TCP/IP Communication



### Matters needing attention:

- Although the controller has good guards against the static electricity anti-radar, strikes, guards against the leakage design, but guarantees the alternating current grounding and the controller engine case good connection by all means must, also real earth.
- Reads the card, the button installment altitude is apart from the ground 1.45 meters, may carry on the appropriate readjustment according to the actual need.
- All non- conventional operation, please by all means must first links up with our engineer. Meets the controller and other big electric current equipment on the identical power supply plug.
- The controller suggested installs and so on is advantageous for the service in the weak electric-pump well

# Appendix

## Alarm Output and Fire Linkage Extend Board(Optional part)

### I. Overview

Fire and alarm linkage extend panel is one add-on module of access controllers. It is for output linkage of offering fire and alarm signals. It is with the advantages of strong practicability. Simple connecting and stable functions. With power and relay indicator light, which can indicate the communication faults. It is a cost-effective and high-performance linkage extend module.

### II. The characteristics of the module

1. Four-alarm output, can definite functions freely for one door or some doors of the connected controller.
2. Can connect fire signal output, and automatically open all doors of the connected controller after receiving fire signal; meanwhile, one fire alarm record will be occurred for query afterwards.
3. Available for "illegal intrusion", "door long time open", "threect enter", "linkage to open the door", "invalid card" and "fire alarm linkage out" etc.
4. Can be set for each output of the delay time 0~6000 seconds.

### III. The appearance of structure

